

4

3

2

1



233 Veterans Drive South Haven, MI 49090
 Phone: 269-637-1197 Fax: 269-637-0177 www.riveer.com CAGE: 5X781

CUSTOMER APPROVAL OF DRAWINGS
 Signed drawings are a statement that the dimensions, design,
 and application have been reviewed and are approved for fabrication.
CUSTOMER MUST VERIFY UTILITY REQUIREMENTS WITH INITIALS

UTILITY	REQUIREMENT	INITIAL
ELECTRIC	480V 3PH	
CITY WATER FEED	3/4GHF (BACKFLOW PREVENTER PROVIDED BY OTHERS)	
SANITARY SEWER	YES, 3IN	
GAS	NO	
AIR	NO	
DATE READY FOR INSTALL	TBD	

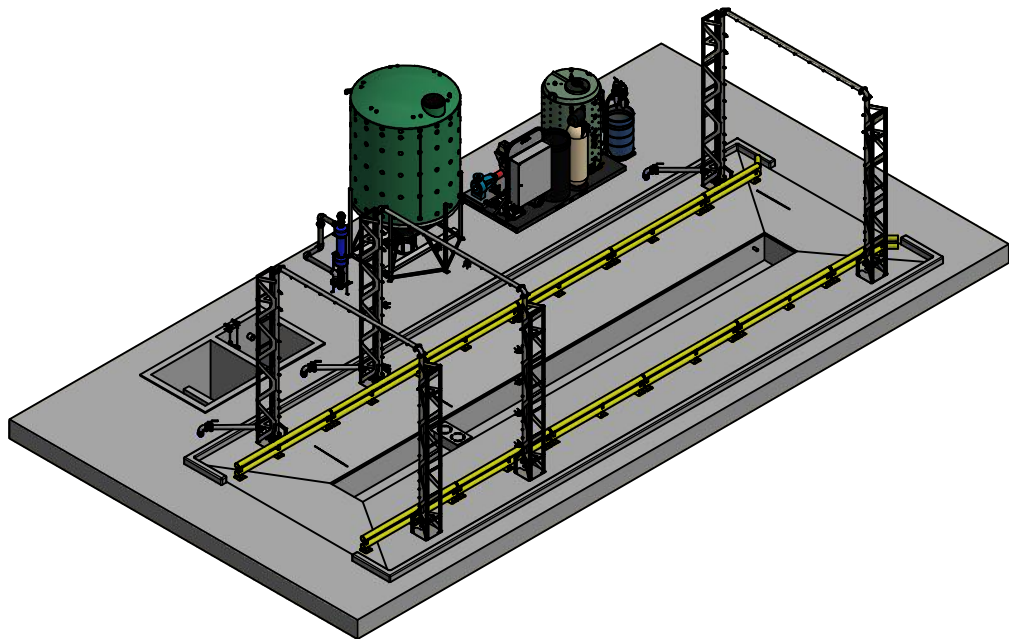
APPROVED BY

NAME	COMPANY	DATE	TITLE

NOTES

PROPRIETARY STATEMENT
 This document contains confidential and proprietary information and is not to be reproduced or the information contained therein disclosed to others without consent, in writing, from Riveer Company.

DRAWING TITLE	DRAWING NUMBER	CREATED ON
TRUCK WASH CONCEPT ASSEMBLY		10/13/2017



4

3

2

1

D

D

C

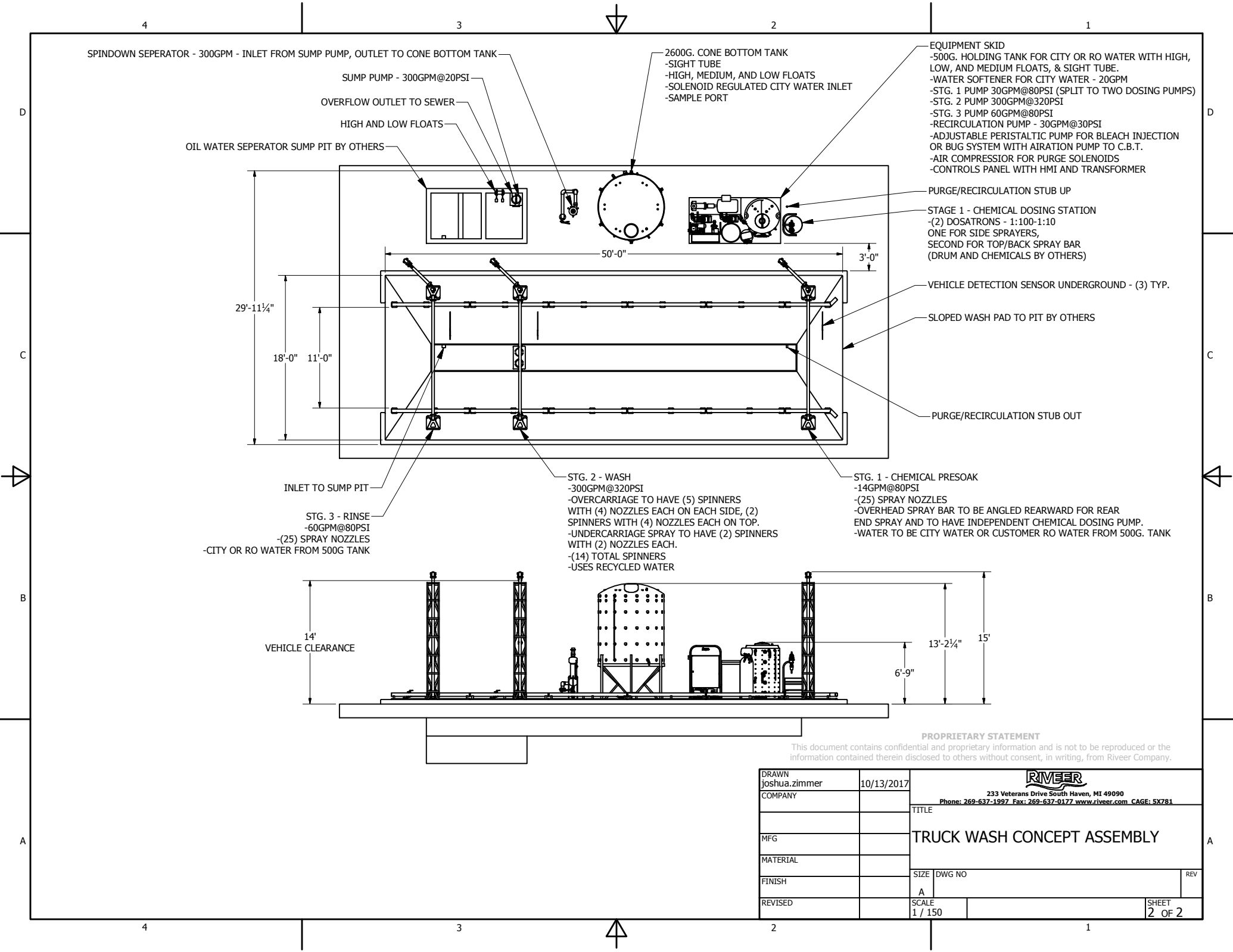
C

B

B

A

A



SPINDOWN SEPERATOR - 300GPM - INLET FROM SUMP PUMP, OUTLET TO CONE BOTTOM TANK

SUMP PUMP - 300GPM@20PSI

OVERFLOW OUTLET TO SEWER

HIGH AND LOW FLOATS

OIL WATER SEPERATOR SUMP PIT BY OTHERS

2600G. CONE BOTTOM TANK
 -SIGHT TUBE
 -HIGH, MEDIUM, AND LOW FLOATS
 -SOLENOID REGULATED CITY WATER INLET
 -SAMPLE PORT

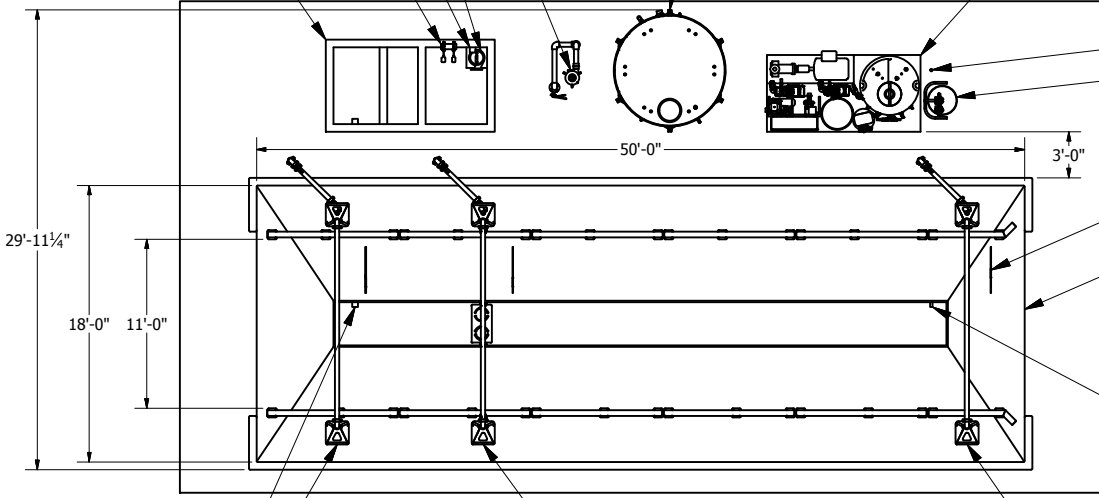
EQUIPMENT SKID
 -500G. HOLDING TANK FOR CITY OR RO WATER WITH HIGH, LOW, AND MEDIUM FLOATS, & SIGHT TUBE.
 -WATER SOFTENER FOR CITY WATER - 20GPM
 -STG. 1 PUMP 30GPM@80PSI (SPLIT TO TWO DOSING PUMPS)
 -STG. 2 PUMP 300GPM@320PSI
 -STG. 3 PUMP 60GPM@80PSI
 -RECIRCULATION PUMP - 30GPM@30PSI
 -ADJUSTABLE PERISTALTIC PUMP FOR BLEACH INJECTION OR BUG SYSTEM WITH AIRATION PUMP TO C.B.T.
 -AIR COMPRESSIOR FOR PURGE SOLENOIDS
 -CONTROLS PANEL WITH HMI AND TRANSFORMER

PURGE/RECIRCULATION STUB UP
 STAGE 1 - CHEMICAL DOSING STATION
 -(2) DOSATRONs - 1:100-1:10
 ONE FOR SIDE SPRAYERS,
 SECOND FOR TOP/BACK SPRAY BAR
 (DRUM AND CHEMICALS BY OTHERS)

VEHICLE DETECTION SENSOR UNDERGROUND - (3) TYP.

SLOPED WASH PAD TO PIT BY OTHERS

PURGE/RECIRCULATION STUB OUT

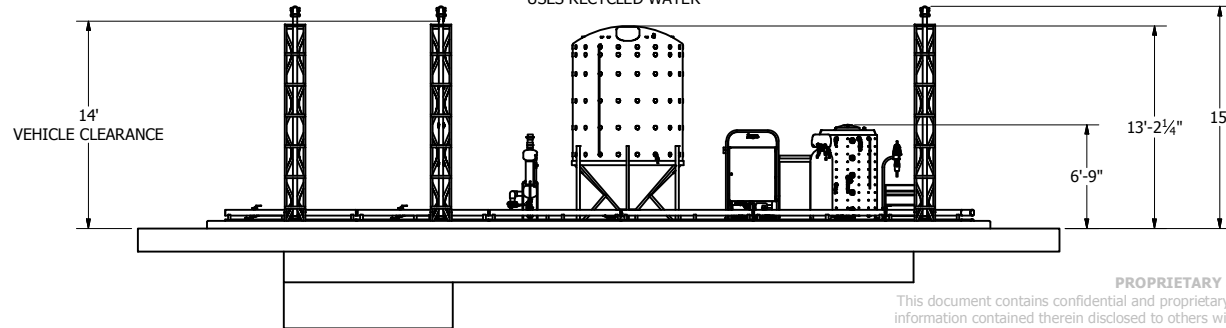


INLET TO SUMP PIT

STG. 3 - RINSE
 -60GPM@80PSI
 -(25) SPRAY NOZZLES
 -CITY OR RO WATER FROM 500G TANK

STG. 2 - WASH
 -300GPM@320PSI
 -OVERCARRIAGE TO HAVE (5) SPINNERS
 WITH (4) NOZZLES EACH ON EACH SIDE, (2)
 SPINNERS WITH (4) NOZZLES EACH ON TOP.
 -UNDERCARRIAGE SPRAY TO HAVE (2) SPINNERS
 WITH (2) NOZZLES EACH.
 -(14) TOTAL SPINNERS
 -USES RECYCLED WATER

STG. 1 - CHEMICAL PRESOAK
 -14GPM@80PSI
 -(25) SPRAY NOZZLES
 -OVERHEAD SPRAY BAR TO BE ANGLED REARWARD FOR REAR
 END SPRAY AND TO HAVE INDEPENDENT CHEMICAL DOSING PUMP.
 -WATER TO BE CITY WATER OR CUSTOMER RO WATER FROM 500G. TANK



PROPRIETARY STATEMENT

This document contains confidential and proprietary information and is not to be reproduced or the information contained therein disclosed to others without consent, in writing, from Riveer Company.

DRAWN joshua.zimmer	10/13/2017	 233 Veterans Drive South Haven, MI 49090 Phone: 269-637-1997 Fax: 269-637-0177 www.riveer.com CAGE: 5X781	
COMPANY			
MFG		TITLE TRUCK WASH CONCEPT ASSEMBLY	
MATERIAL		SIZE	DWG NO
FINISH		A	
REVISED		SCALE	SHEET
		1 / 150	2 OF 2